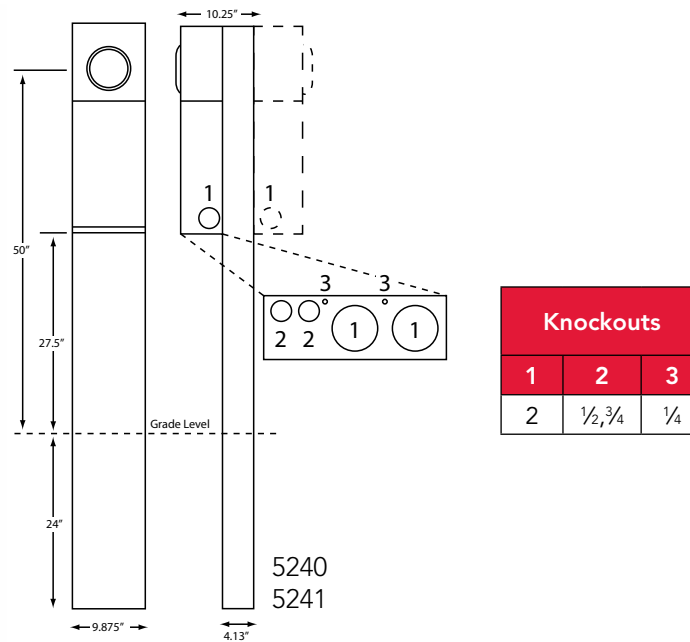


Versa-Ped Service Pedestals

U5240 & U5241 Series Ring Type Meter



U5240-O-200S



Specifications & Features

- UL listed
- 200 amp maximum, 120/240 volt, single phase, three wire meter socket
- Ringless meter socket with horn bypass and stainless steel latch
- Short circuit withstand rating of 22K AIC
- Type 3R construction for durable outdoor use, one piece post — lockable and sealable
- Milbank grey polyester powder coat finish
- Wire terminations accept copper or aluminum conductors
- Line & neutral: (2) #6-350 kcmil per phase
- Line ground: (4) #14-1/0
- Load (CB): 2/0-300 kcmil per pole
- Load neutral: (1) #6-350 kcmil
- Load ground: (2) #14-1/0, (4) #14/6
- Milbank plug-in main circuit breaker: available in 100, 125, 150 & 200 amp, type UQFPH-M
- Four-circuit plated copper branch circuit interior accepts (2) 2-pole or (4) 1-pole standard plug-in type circuit breakers up to a total of 125 amps maximum. Acceptable manufacturers: Cutler-Hammer, GE, Siemens, or Square D Homeline.
- Factory or field installable receptacle bridge and receptacle / circuit breaker kits available. See accessories.

Utility requirements for this equipment may vary. Always consult the serving utility for their requirements prior to ordering or installing this equipment. This product must be installed by a licensed electrician. Installation of this equipment may require local electrical inspector approval.



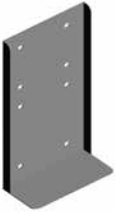
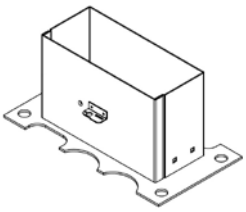

200 amp | 4 Terminal | Meter Main Pedestal | Ringless

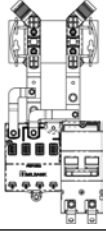
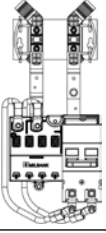
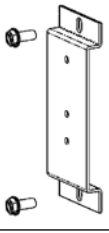
Catalog Number	Mounting	Meter Positions	Main CB	Circuits	Connectors CU/AL		Dimensions		
					Line	Load	D"	W"	H"
U5240-O-100S	Direct Burial	Single	100	4	#6-350	CB	10¼	10	80
U5240-O-200S	Direct Burial	Single	200	4	#6-350	CB	10¼	10	80
U5240-O	Direct Burial	Single	—	4	#6-350	CB	10¼	10	80
U5242-O-200S	Pad Mount	Single	100	4	#6-350	CB	10¼	10	56
U5242-O	Pad Mount	Single	—	4	#6-350	CB	10¼	10	56
U5241-O-100S	Direct Burial	Double	100	4	#6-350	CB	16	10	80
U5241-O-200S	Direct Burial	Double	200	4	#6-350	CB	16	10	80
U5241-O	Direct Burial	Double	200	4	#6-350	CB	16	10	80
U5243-O	Pad Mount	Double	—	4	#6-350	CB	16	10	56

Notes

- **Series to Parallel Conversion:** For field converting from parallel wired to series wired order **K5193** should be added above the Parallel to Series
- **Parallel to Series Conversion:** For field converting from parallel wired to series wired order **K5194**.
- **Fifth Terminal:** For field installed fifth terminal, order **K5T**.
- **Stabilizer Foot:** For field installed stabilizer foot, order **K5415**.
- **Penta Bolt Locking:** For field installed pedestal fronts penta bolt locking, order **K5039**.
- **Receptacles:** Consult factory for installed receptacle assemblies.

Accessories

		
K5415	K5035	K5T
Stabilizer foot with hardware (recommended for double pedestals)	Pad mount kit with hardware; required for U5138/U5139 pad mount pedestals	Fifth terminal kit for 208y/120 volt 3-wire service

		
K5193	K5194	K3450
Bus kit to convert series-wired main breaker to parallel	Bus kit to convert parallel-wired main breaker to series	Telephone/CATV mounting bracket (mounts left or right)

Utility requirements for this equipment may vary. Always consult the serving utility for their requirements prior to ordering or installing this equipment. This product must be installed by a licensed electrician. Installation of this equipment may require local electrical inspector approval.

