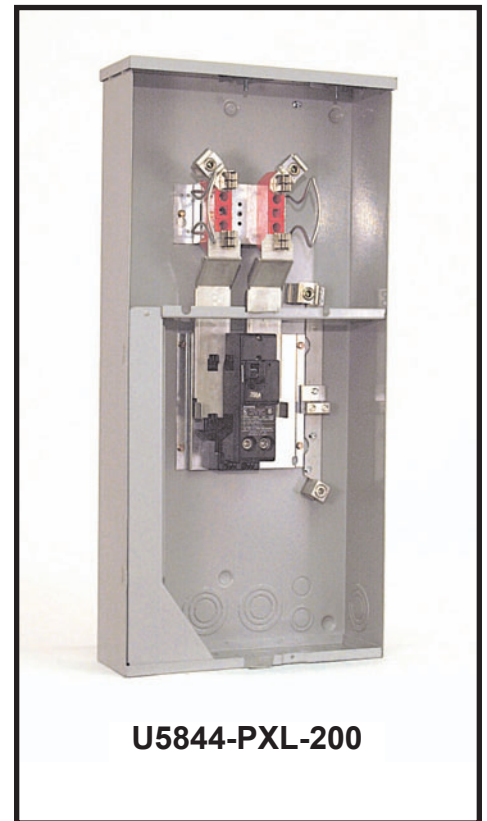


Residential Meter Main

U5842/44 & U5852/54 Series Ringless and Ring Type Versions



U5842-RL-200



U5844-PXL-200

Features

- 4 Terminal with 5th Terminal option
- Horn bypass
- Available 60, 100, 150 & 200 amp
- Patent pending bus assembly
- Rated 22K AIC standard
- OH or UG service entrance
- Separate lockable breaker reset cover
- Barrel lock provision option
- UG unit with separate utility section

MILBANK®

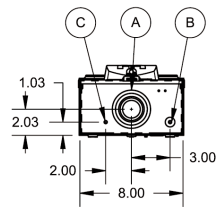
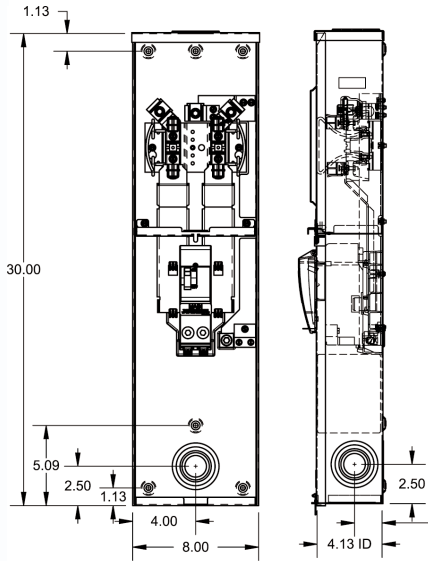


U5842 Configuration

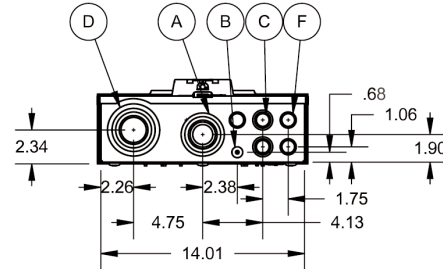
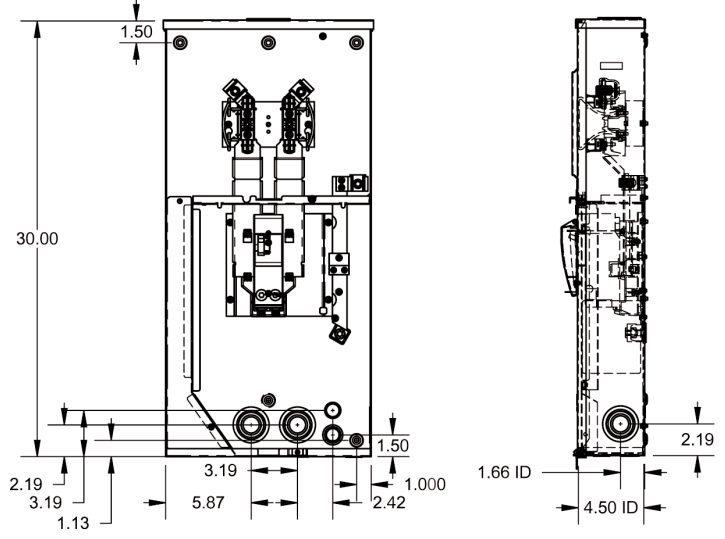
U5844 Configuration



U5842



KO CONFIGURATIONS	
A	1.0" 1.25" 1.5" 2.0" 2.5" CONC.
B	0.25" 0.5" CONC.
C	0.25" SOLID



KO CONFIGURATIONS	
A	1.0" 1.25" 1.5" 2.0" 2.5" CONC.
B	0.25" 0.5" CONC.
C	0.5" 0.75" 1.0" CONC.
D	1.25" 1.5" 2" 2.5" 3" CONC.
F	0.5" 0.75" CONC.

SPECIFICATIONS

- Listed under UL 67 as “suitable only for use as service equipment” – file number E32628 Series 1800 MS.
- 200 amp continuous duty ringless meter socket. Accepts ANSI type C12.10 watt-hour meters. Overall ampere rating limited to main circuit breaker rating.
- For use on 120/240 volt single phase applications.
- Short circuit withstand rating 22K AIC as standard. See wiring diagrams on back page for series rating compatibility.
- Type 3R enclosure constructed with G90 galvanized steel.
- Light gray polyester powder coat finish.
- Service entrance overhead or underground. OH has up to 2-1/2” hub opening and UG has up to 3” knockout
- Wire terminations accept copper or aluminum conductors:
Line & Neutral: # 1/0-350 kcmil Ground: #6-350
- Plug-on main circuit breaker: 60 and 100 amp type **Q** small frame, 150 & 200 amp type **QN** large frame.
- Lockable breaker reset cover.

RINGLESS METER MAIN MODELS

<u>Catalog Number</u>	<u>Amp</u>	<u>Main</u>	<u>Term</u>	<u>Service</u>	<u>Wt (#)</u>
◆ U5842-RL-KK	200	200a 2p*	4	OH	25
U5842-RL-100	100	100a	4	OH	26
◆ U5842-RL-200-KK	200	200a	4	OH	26
◆ U5842-RL-200	200	200a	4	OH	26
◆ U5844-RL	200	200a 2p*	4	OH/UG	36
◆ U5844-PXL	200	200a 2p*	4	OH/UG	37
◆ U5844-PXL-100	100	100a	4	OH/UG	37
◆ U5844-PXL-150	150	150a	4	OH/UG	37
◆ U5844-PXL-200	200	200a	4	OH/UG	37

RING TYPE METER MAIN MODELS

<u>Catalog Number</u>	<u>Amp</u>	<u>Main</u>	<u>Term</u>	<u>Service</u>	<u>Wt (#)</u>
◆ U5852-RL	200	200a 2p*	4	OH	26
U5852-RL-100	100	100a	4	OH	26
U5852-RL-200	200	200a	4	OH	26
◆ U5854-RL-200	200	200a	4	OH/UG	38
U5854-PXL-100	100	100a	4	OH/UG	38
U5854-PXL-200	200	200a	4	OH/UG	38
◆ U5854-PDL-200	200	200a	4	OH/UG	38

*2 Pole provision.

AIC RATING: All models are rated 22K AIC.

HUB: OH/UG units supplied with one (1) closing plate packed inside. *Order hubs separately from chart below.*

FIFTH TERMINAL: For field installable 208Y/120 network service order **K5T**. Installs in the 9 o'clock position.

HUB CHART

Conduit size	1"	1-1/4"	1-1/2"	2"	2-1/2"
Catalog no.	A7514	A7515	A7516	A7517	A7518

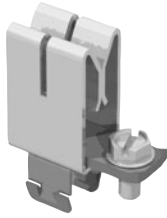

MAIN CIRCUIT BREAKER CHART

Amperage	60	100	150	200
10KAIC Breaker Model	Q260	Q2100	QN2150	QN2200
22KAIC Breaker Model	Q260H	Q2100H	QN2150H	QN2200H



◆ Stock model

Utility requirements for this equipment may vary. Always consult the serving utility for their requirements before ordering or installing equipment in this catalog.



K5T
Fifth terminal



OH-112993
OH/UG-1124651
Meter Front



OH-1135467
OH/UG-1138498
Lower Front



QN2200H



Q2100H

Circuit breakers

METER MAIN - SERIES SMMM
1 ϕ 3 WIRE 120/240 VAC, TYPE 3R ENCLOSURE
SEE CIRCUIT BREAKER HANDLE FOR MAIN BREAKER RATING.
METER SOCKET RATED 200 AMP CONTINUOUS

SUITABLE ONLY FOR USE AS SERVICE EQUIPMENT.

THE MAXIMUM SHORT CIRCUIT CURRENT RATING OF THIS DEVICE IS 22,000 RMS SYM AMPS 120/240 VAC IN ACCORDANCE WITH THE TABLE BELOW. THE SHORT CIRCUIT CURRENT RATING IS LIMITED TO THE LOWEST INTERRUPTING RATING OF ANY INSTALLED CIRCUIT BREAKER. WATT-HOUR METER NOT INCLUDED IN SHORT CIRCUIT CURRENT RATING.

 ENCLOSED PANELBOARD ISSUE NO. (SEE CHART)	RATING kAIC	CIRCUIT BREAKER	
		0-125A	150A-200A
	10	SIEMENS: QP CUTLER-HAMMER: BR, HQP, QPGF. SQUARE D: HOMELINE, G.E.: (50AMP MAX.) THQL, THQL- _GF_	SIEMENS: QN
	22	SIEMENS: QPH	SIEMENS: QNH

LINE TERMINALS: #6AWG -350 kcmil AL-CU.
LINE NEUTRAL TERMINALS: #6AWG - 250 kcmil AL-CU,
TORQUE TO 250 LB-IN MAX. LOAD TERMINAL AS SPECIFIED ON CIRCUIT BREAKERS.
LOAD NEUTRAL: #6AWG-300 kcmil AL-CU, TORQUE TO 250 LB-IN MAX.
GROUND: #12-2/0 AWG TORQUE TO 50 LB-IN.

CONDUIT HUB OPENING MUST BE FITTED WITH ONE OF THESE APPROVED DEVICES.		LOAD WIRE CONDUCTOR INSULATION, SEE CIRCUIT BREAKER MARKING. IF NO MARKING USE 75°C RATED CONDUCTORS.
CONDUIT SIZE	CATALOG NO.	
1"	#7514	
1 1/4"	#7515	
1 1/2"	#7516	
2"	#7517	
2 1/2"	#7518	
CLOSING PLATE	#7551	

TO RESET TRIPPED BREAKER: FIRST PUSH HANDLE TO "OFF" POSITION, AND THEN TO "ON" POSITION.

PLANT #(SEE CHART) #1130166
MILBANK MFG. CO. GENERAL OFFICES K.C. MO. REV. B

PATENT PENDING

