

New U1797-O-K3L-K2L Design

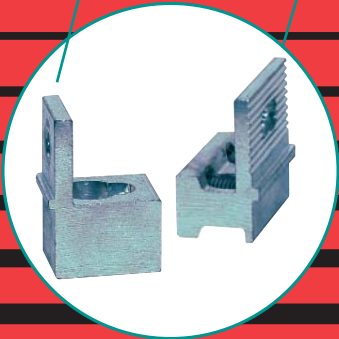


U1797-O-K3L-K2L features:

- 320 amp continuous, 400 amp max.
- 4 terminal, 1Ø3W
- Heavy duty lever bypass, jaw clamping
- Underground service
- Milbank reliability

NEW:

- **ANTI-ROTATION LUGS INCLUDED...** anti rotation bar on the lugs allow the installer to torque down on the conductor without the lug rotating– **EASIER, FASTER, SAFER, MORE RELIABLE INSTALLATION**
- **FACTORY INSTALLED LUGS...**
Line side – single barrel up to 600 kcmil
Load side – double barrel up to 350 kcmil
Installed on the bus with proper torque values by the factory
- **Saves on field installation time with lugs already installed...** no more, **"I FORGOT THE CONNECTORS"** at the jobsite.
- **MORE WIRING ROOM...** easier to wire with different sizes of conductor

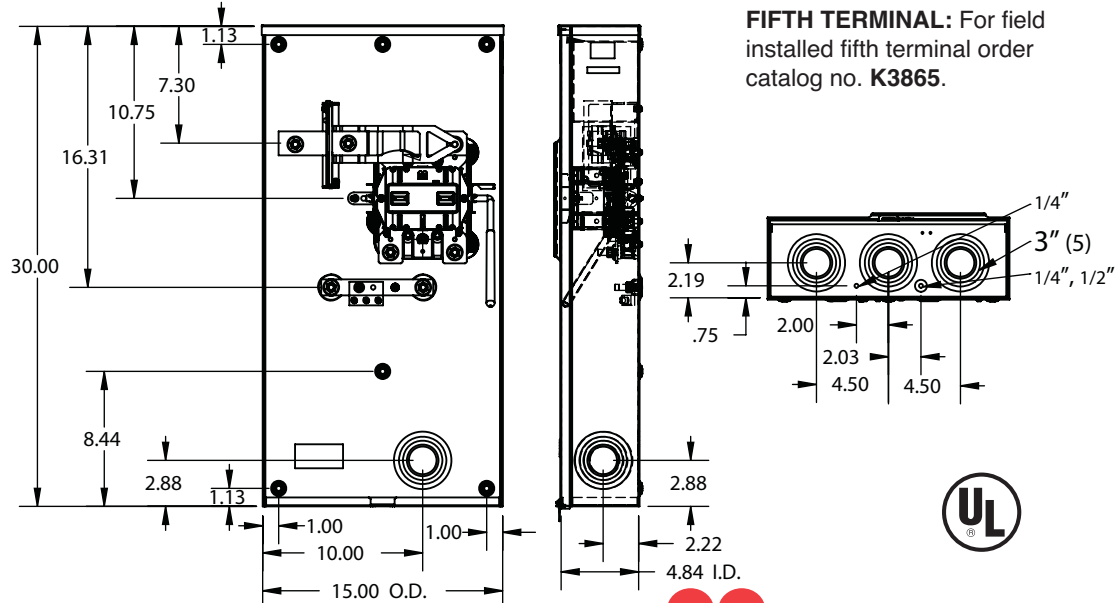


320 AMP CONTINUOUS–4 TERMINAL–SIDE WIREWAY–RINGLESS–1Ø3W–600 VAC

SERVICE	CATALOG NUMBER	CONNECTORS CU/AL		BY-PASS	DIMENSIONS			5T KIT
		LINE	LOAD		D"	W"	H"	
UG	U1797-O-K3L-K2L	#4-600 kcmil or (2) 1/0-250 kcmil	TWIN #6-350 kcmil	LEVER	4 ⁷ / ₈	15	30	K3865
UG	U3000-O-K3L-K2L	#4-600 kcmil or (2) 1/0-250 kcmil	TWIN #6-350 kcmil	LEVER	4 ⁷ / ₈	15	30	K3865

BYPASS: On the U1797 the lever supplies clamping action and also operates bypass device.

FIFTH TERMINAL: For field installed fifth terminal order catalog no. **K3865**.



816.483.5314 phone

816.483.6357 fax

www.milbankmfg.com

1797 1/07



MILBANK[®]